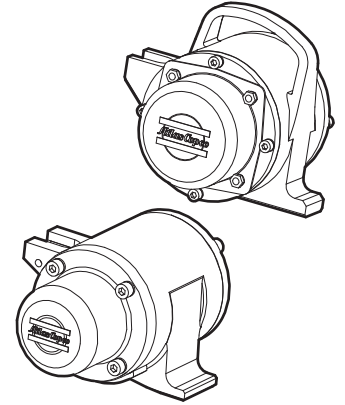


Spare parts list

Pneumatic concrete vibrators

| | Valid from serial number |
|------------------------------------|--------------------------|
| Pneumatic external vibrator EP121B | FRO016254 |
| Pneumatic external vibrator EP271B | FRO016254 |
| Pneumatic external vibrator EP371B | FRO016254 |
| Pneumatic external vibrator EP601B | FRO016254 |



Contents

| | |
|--------------------------|---|
| General information..... | 5 |
| Spare parts list..... | 6 |
| EP121B, EP271B..... | 6 |
| EP371B, EP601B..... | 8 |

General information

This spare parts list applies to the following:

| Part number | Description |
|--------------|------------------------------------|
| 4812 0509 86 | Pneumatic external vibrator EP121B |
| 4812 0509 87 | Pneumatic external vibrator EP271B |
| 4812 0509 88 | Pneumatic external vibrator EP371B |
| 4812 0509 89 | Pneumatic external vibrator EP601B |

Use only authorized parts. Any damage or malfunction caused by the use of unauthorized parts is not covered by Warranty or Product Liability. Any unauthorized use or copying of the contents or any part thereof is prohibited. This applies in particular to trademarks, model denominations, part numbers, and drawings.

Instructions for use

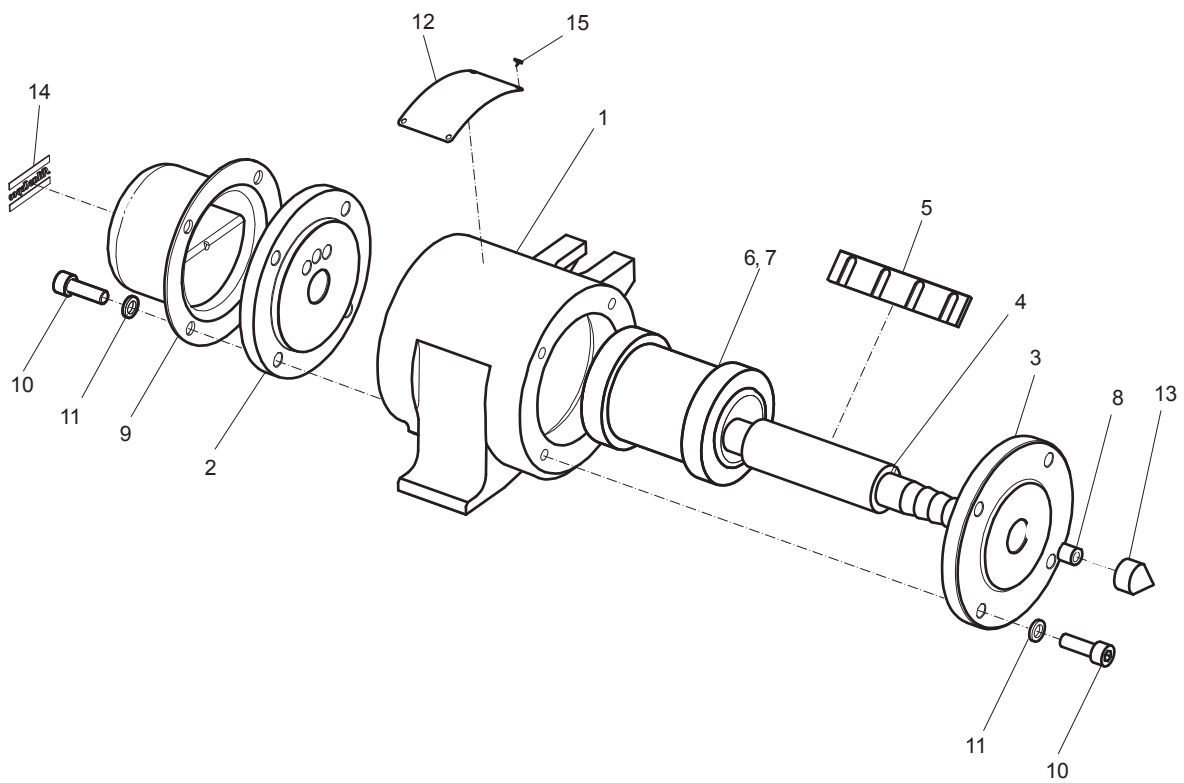
This spare parts list contains no safety regulations and is merely intended to assist in the ordering of spare parts.

For information about operating, servicing, or repairing, the relevant Safety and operating instructions must be consulted at all costs.

Please observe the safety instructions listed in the relevant Safety and operating instructions!

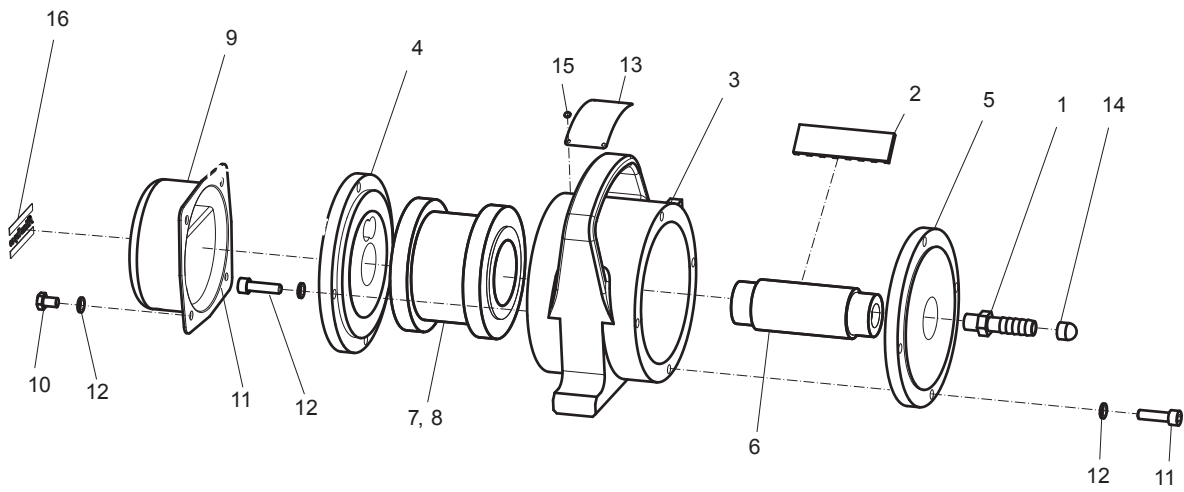
Spare parts list

EP121B, EP271B



| No. | Description | Remark | Quantity | Part number |
|-----|-----------------------|--------------------------|----------|--------------|
| 1 | Casing | | 1 | 4700 1825 70 |
| 2 | Front flange | | 1 | 4700 1825 71 |
| 3 | Rear flange | | 1 | 4700 1825 72 |
| 4 | Shaft | | 1 | 4700 1827 73 |
| 5 | Lamella | | 1 | 4700 1825 75 |
| 6 | Rotor | EP121B | 1 | 4700 1825 85 |
| 7 | Rotor | EP271B | 1 | 4700 1825 74 |
| 8 | Sleeve | | 1 | 4700 1832 33 |
| 9 | Cover | | 1 | 4700 1839 82 |
| 10 | Socket head cap screw | M8 x 25 mm 12.9 (DIN912) | 8 | 4700 5080 19 |
| 11 | Washer | W8 NFE 25-515 | 8 | 4700 6040 05 |
| 12 | Dataplate | | 1 | - |
| 13 | Plug | | 1 | 4700 1867 91 |
| 14 | Label | "Atlas Copco" | 1 | 4812 0511 61 |
| 15 | Rivet | | 4 | 4700 1016 63 |

EP371B, EP601B



| No. | Description | Remark | Quantity | Part number |
|-----|-----------------------|-----------------------------|----------|--------------|
| 1 | Air nipple | | 1 | 4700 1076 90 |
| 2 | Lamella | | 1 | 4700 1891 65 |
| 3 | Casing | | 1 | 4700 1825 48 |
| 4 | Front flange | | 1 | 4700 1825 49 |
| 5 | Rear flange | | 1 | 4700 1825 50 |
| 6 | Shaft | | 2 | 4700 1825 51 |
| 7 | Rotor | EP371B | 1 | 4700 1825 53 |
| 8 | Rotor | EP601B | 1 | 4700 1825 52 |
| 9 | Cover | | 1 | 4700 1839 84 |
| 10 | Hexagon head screw | M8 x 12 mm 8.8 (DIN933) | 4 | - |
| 11 | Socket head cap screw | CC M8 x 30 mm 12.9 (DIN912) | 8 | 4700 5080 84 |
| 12 | Washer | W8 NFE 25-515 | 12 | 4700 6040 05 |
| 13 | Dataplate | | 1 | - |
| 14 | Plug | | 1 | 4700 1867 92 |
| 15 | Rivet | | 4 | 4700 1016 63 |
| 16 | Label | "Atlas Copco" | 1 | 4812 0510 93 |

Any unauthorized use or copying of the contents or any part thereof is prohibited.
This applies in particular to trademarks, model denominations, part numbers, and
drawings.

© 2012 Atlas Copco Construction Tools AB | No. 9800 1198 01 | 2012-02-14

Atlas Copco

www.atlascopco.com